

2MP 22x Lighthunter Network PTZ Dome Camera

IPC6322LR(SR)-X22(P)-D



Key Features

Optics

- Starlight illumination
- 22x optical zoom
- Accurate and fast focusing
- Smart IR, up to 150m (492ft) IR distance

Compression

- 2 Megapixel image
- Ultra 265, H.265, H.264, MJPEG
- Triple streams
- Customized OSD

Network

- ONVIF Conformance

Structure

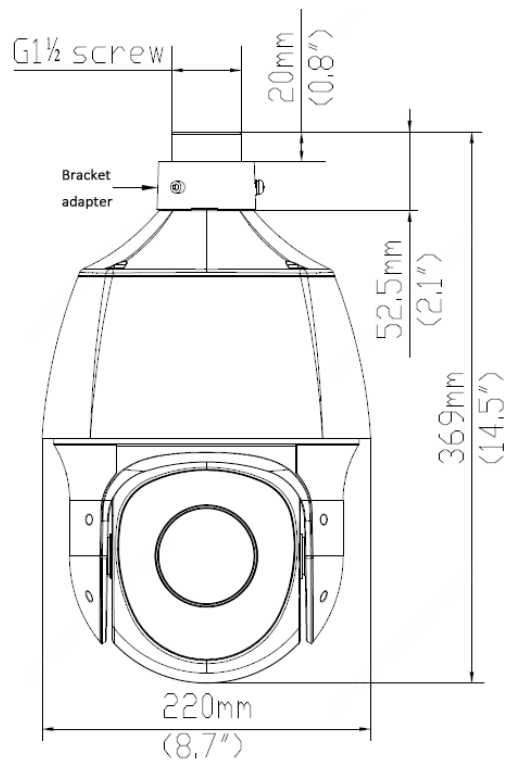
- Innovative snow-removing functionality
- Intelligent temperature control technology
- 6KV surge protection designed for network interface
- IP66

Specifications

	IPC6322SR-X22P-D		IPC6322LR-X22-D		
Camera					
Sensor	1/2.8", 2.0 megapixel, progressive scan, CMOS				
Lens	5.2 ~ 114.4mm, AF automatic focusing and motorized zoom lens				
Digital Zoom	16				
Optical Zoom	22				
DORI Distance	Lens (mm)	Detect (m)	Observe (m)	Recognize (m)	Identify (m)
	5.2	80.7(264.7ft)	32.3(105.9ft)	16.1(52.9ft)	8.1(26.5ft)
	114.4	1775.2(5824.1ft)	710.1(2329.6ft)	355.0(1164.8ft)	177.5(582.4ft)
Angle of View (H)	53.4° ~ 2.7°				
Angle of View (V)	32.3° ~ 1.5°				
Angle of View (O)	60.3° ~ 3.1°				
Shutter	Auto/Manual; shutter time: 1 ~ 1/100000s				
Minimum Illumination	Colour: 0.001 lux (F1.5,AGC ON) 0 lux with IR				
Iris	Auto/Manual; F1.5 ~ F3.8				
Day/Night	IR-cut filter with auto switch (ICR)				
Digital noise reduction	2D/3D DNR				
S/N	>52dB				
IR Range	UP to 150m (492ft)				
Defog	Digital Defog				
WDR	120dB				
Video					
Video Compression	Ultra 265, H.265, H.264, MJPEG				
H.264 code profile	Baseline profile, Main Profile, High Profile				
Frame Rate	Main Stream: 2MP (1920*1080), Max 60fps; Sub Stream: 2MP (1920*1080), Max 60fps; Third Stream: D1 (720*576), Max 60fps				
HLC	Supported				
BLC	Supported				
EIS	Supported				
OSD	Up to 8 OSDs				
Privacy Mask	Up to 24 areas(Up to 8 blacks or 8 mosaic in the same picture)				

ROI	Up to 8 areas	
Motion Detection	Up to 4 areas	
Smart		
General Function	Watermark, IP Address Filtering, Tampering Alarm, Alarm input, Alarm output, Access Policy, ARP Protection, RTSP Authentication, User Authentication	Watermark, IP Address Filtering, Tampering Alarm, Access Policy, ARP Protection, RTSP Authentication, User Authentication
Audio		
Audio Compression	G.711	N/A
Two-way audio	Supported	N/A
Suppression	Supported	N/A
Sampling Rate	8KHZ	N/A
Storage		
Edge Storage	Micro SD, up to 256GB	
Network Storage	ANR	
Network		
Protocols	IPv4, IGMP, ICMP, ARP, TCP, UDP, DHCP, PPPoE, RTP, RTSP, RTCP, DNS, DDNS, NTP, FTP, UPnP, HTTP, HTTPS, SMTP, 802.1x, SNMP, QoS, RTMP	
Compatible Integration	ONVIF (Profile S, Profile G, Profile T), API	
Pan & Tilt		
Pan Range	360° (endless)	
Pan Speed	2°/s ~ 75°/s	
	Preset speed: 180°/s	
Tilt Range	-15° ~ 90° (auto reverse)	
Tilt Speed	2° ~ 75°/s	
	Preset speed: 80°/s	
Number of Presets	1024	
Patrol	Preset patrol, route patrol, recorded patrol	
Home Position	Supported	
Interface		
Audio I/O	Audio cable	N/A
	1 Input: impedance 35kΩ; amplitude 2V [p-p]	
	1 Output: impedance 600Ω; amplitude 2V [p-p]	
Alarm I/O	1/1	N/A
Serial Port	N/A	N/A
Network	1 RJ45 10M/100M Base-TX Ethernet	
Video Output	N/A	N/A
General		
Power	DC 12V±10%, PoE (PSE required)	DC 12V±10%
	Power consumption: 4~27.6W	Power consumption: 4~23.5W
Dimensions (Ø x H)	Ø220 x 369mm (Ø8.7" x 14.5")	
Weight	3.4kg (7.5lb)	3.3kg (7.3lb)
Working Environment	-40°C ~ 65°C (-40°F ~ 149°F), Humidity: ≤95% RH (non-condensing)	
Ingress Resistant	IP66	
Reset Button	Supported	

Dimensions



Zhejiang Uniview Technologies Co., Ltd.

Building No.10, Wanlun Science Park, Jiangling Road 88, Binjiang District, Hangzhou, Zhejiang, China (310051)

Email: overseasbusiness@uniview.com; globalsupport@uniview.com

<http://www.uniview.com>

©2020 Zhejiang Uniview Technologies Co., Ltd. All rights reserved.

*Product specifications and availability are subject to change without notice.